

GEDA® 1500 Z/ZP F



Free-standing transport platform

12 m free-standing lifting height with steel plates in the foot section

Two devices in one: material hoist and transport platform

GEDA UNI-X-MAST system

Spacious platform for bulky and heavy construction materials

Automatic lubrication device as a standard









GEDA 1500 Z/ZP F

The GEDA 1500 Z/ZP F – the optimum tool where anchorings are not possible! As a free-standing transport platform, the hoist can become indispensable at a variety of different construction sites. Whether due to the architectural design, glass façades or the conditions at the site – the GEDA 1500 Z/ZP is the perfect free-standing construction hoist. This device stands out on account of its maximum flexibility and short setup time. With the GEDA UNI-X-MAST system, it can be operated free-standing up to a transport height of 12 m and therefore without time-consuming anchorings. With a load capacity of 1300 kg, passengers as well as materials can be transported up and down safely. Two lifting speeds of 24 m/min in material mode and 12 m/min in passenger mode ensure rapid construction progress.

Technical data:

	1300 kg 7 persons
	12/100 m
	12/24 m/min
	2 x 3.0/6.1 kW/ 400 V/50 Hz/32 A

No anchoring? No problem!



Recommended landing level safety gates:

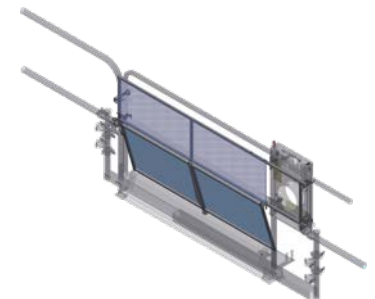


NEW!

Premium
Art. No. 68040



Comfort
Art. No. 01212



Sheet metal panel for Comfort
Art. No. 68302

Accessories:

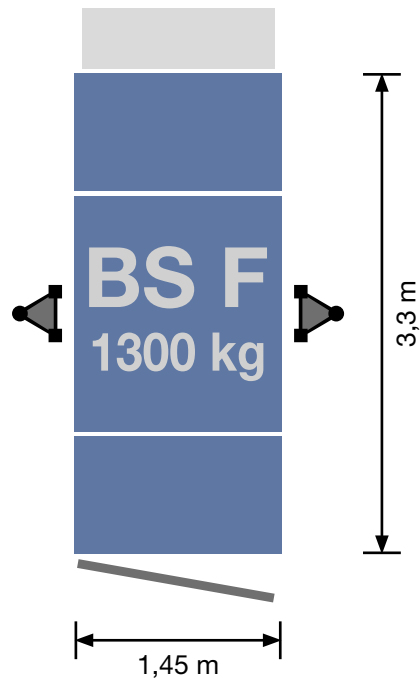
For a wide range of accessories visit:
www.geda.de



Further landing level safety gates:

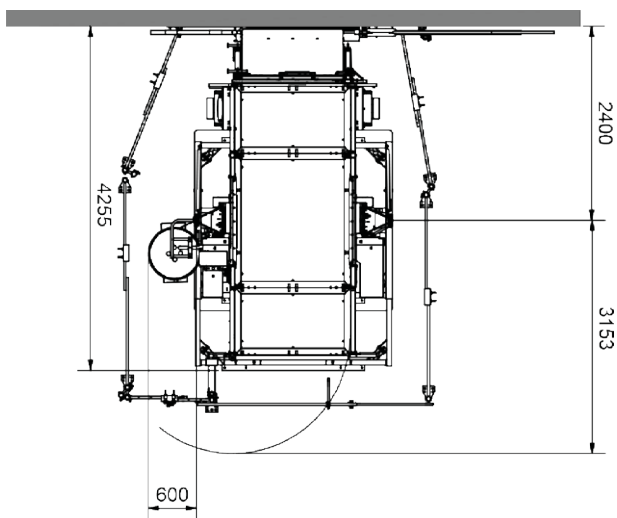
Art. No. 01217	Standard
Art. No. 01268	Standard-Basic
Art. No. 68310	Sheet metal panel for Standard-Basic/Standard
Art. No. K02025	Flexy

Platform:

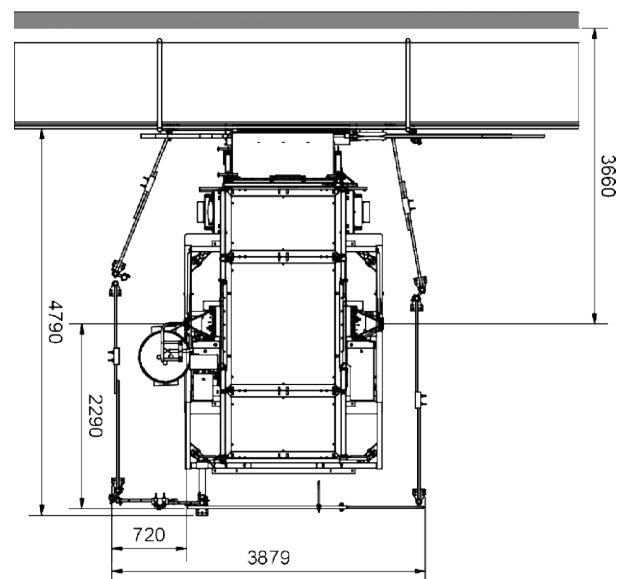


GEDA 1500 Z/ZP platform BS F
1 loading door / 1 unloading ramp

Space requirements:



Normal space requirement in front of a wall



Normal space requirement in front of a scaffold